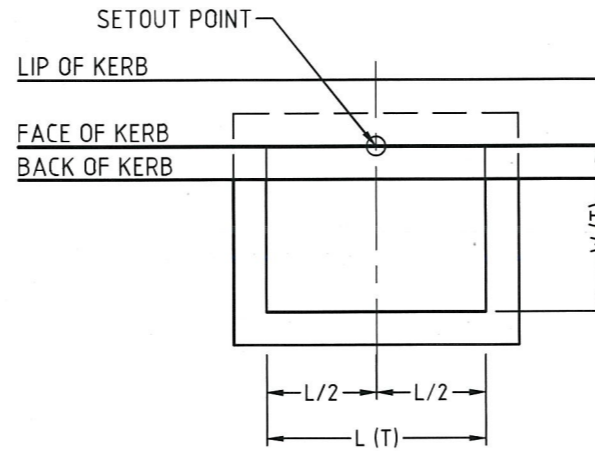
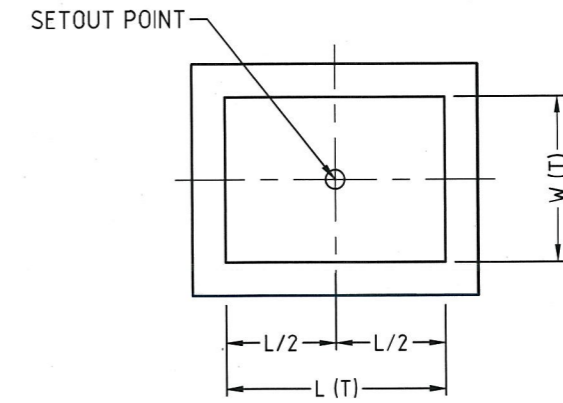


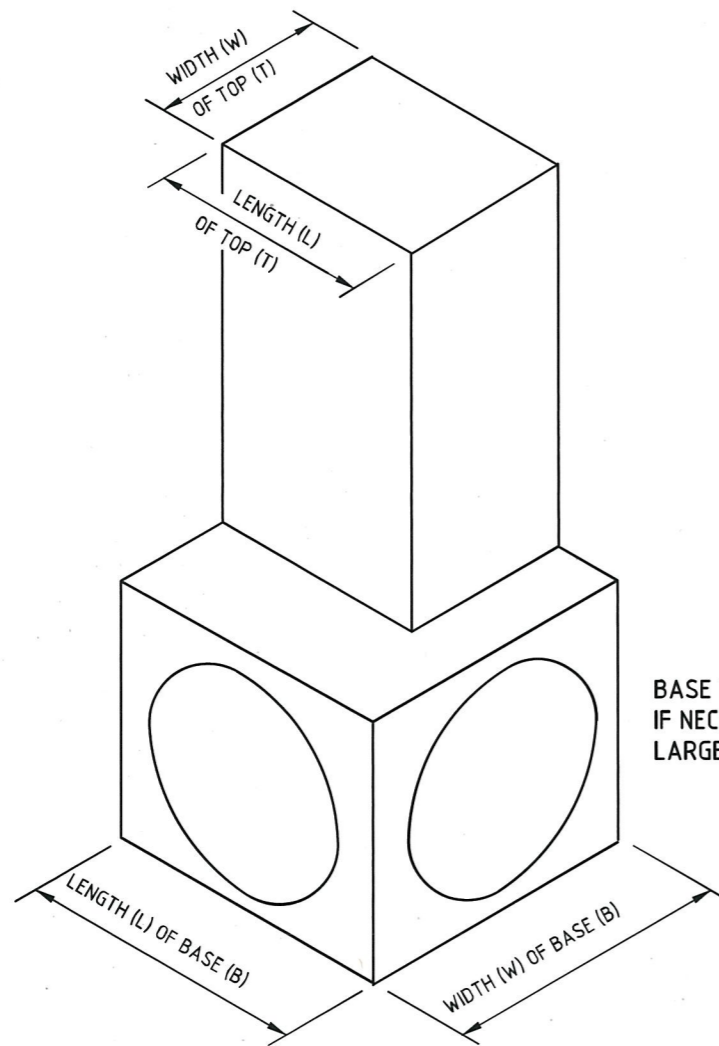
PLAN 1
S3 GRATED SIDE ENTRY PIT



PLAN 2
S1 & S2 SIDE ENTRY PIT

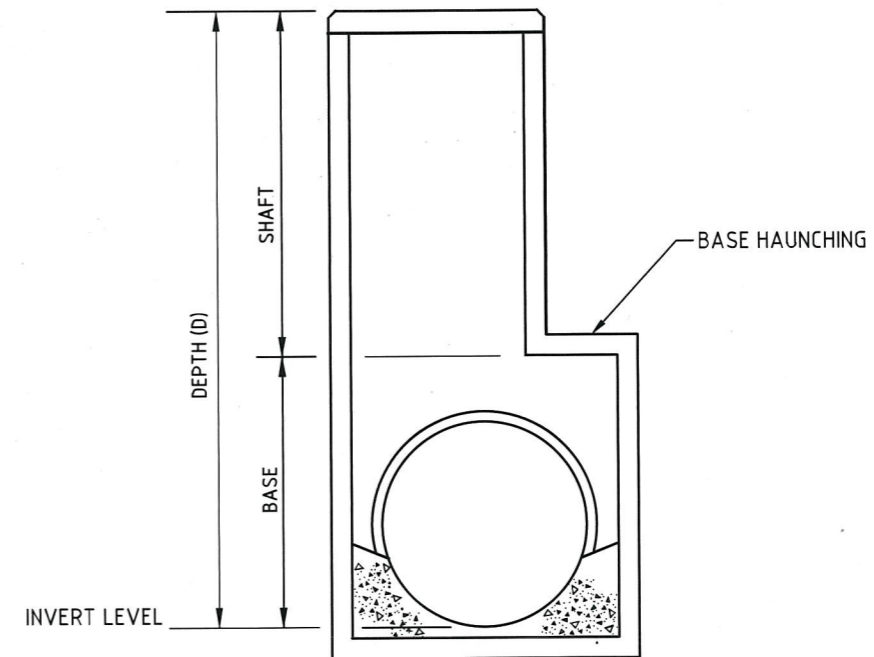


PLAN 3
GRATED PIT & JUNCTION PIT



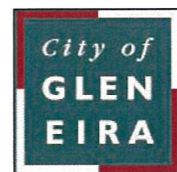
INTERNAL PIT DIMENSIONS

BASE TO BE HAUNCHED
IF NECESSARY TO FIT
LARGE PIPES



SHAFT CONFIGURATIONS
PIT WITH HAUNCHED
BASE

CITY OF GLEN EIRA



Corner Glen Eira and Hawthorn Roads
PO Box 42
Caulfield South Vic 3162
Phone 9524 3333
Fax 9524 3424
E-Mail mail@gleneira.vic.gov.au
Web www.gleneira.vic.gov.au

	Initials	Date	CAD Reference
Designed	CAP WORKS	AUG 2009	STD-101_PIT DIMS
Drawn	CAP WORKS	AUG 2009	Reference
Checked			VicRoads SD 1001C
Approved	<i>[Signature]</i>		Version
Dir. Assets & Facilities		Date	-
		16.01.10	

PIT DIMENSIONS AND SETTING OUT DETAIL			
SCALE:	AS SHOWN	DRG. NO.	STD-101
SHEET	1 OF 1		